

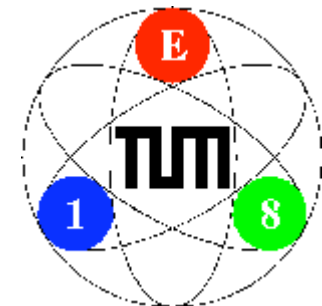
The Ultra-Cold Neutron Laboratory at the FRM-II

*TRTR & IGORR Joint Meeting 2010
Knoxville, TN, USA*

Dr. Andreas Frei

Physics Department - Technical University Munich (TUM)

Prof. Dr. Winfried Petry (FRM-II), Prof. Dr. Stephan Paul (ExC), Rainer Stoepler (TUM)



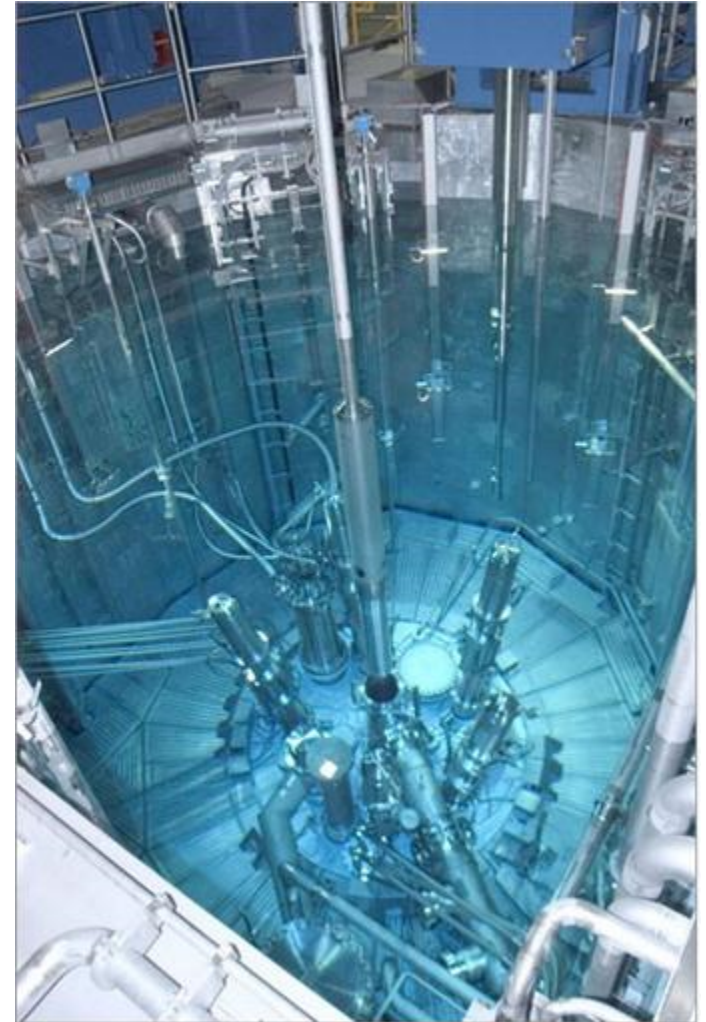
20 MW High Flux Reactor at Garching FRM-II



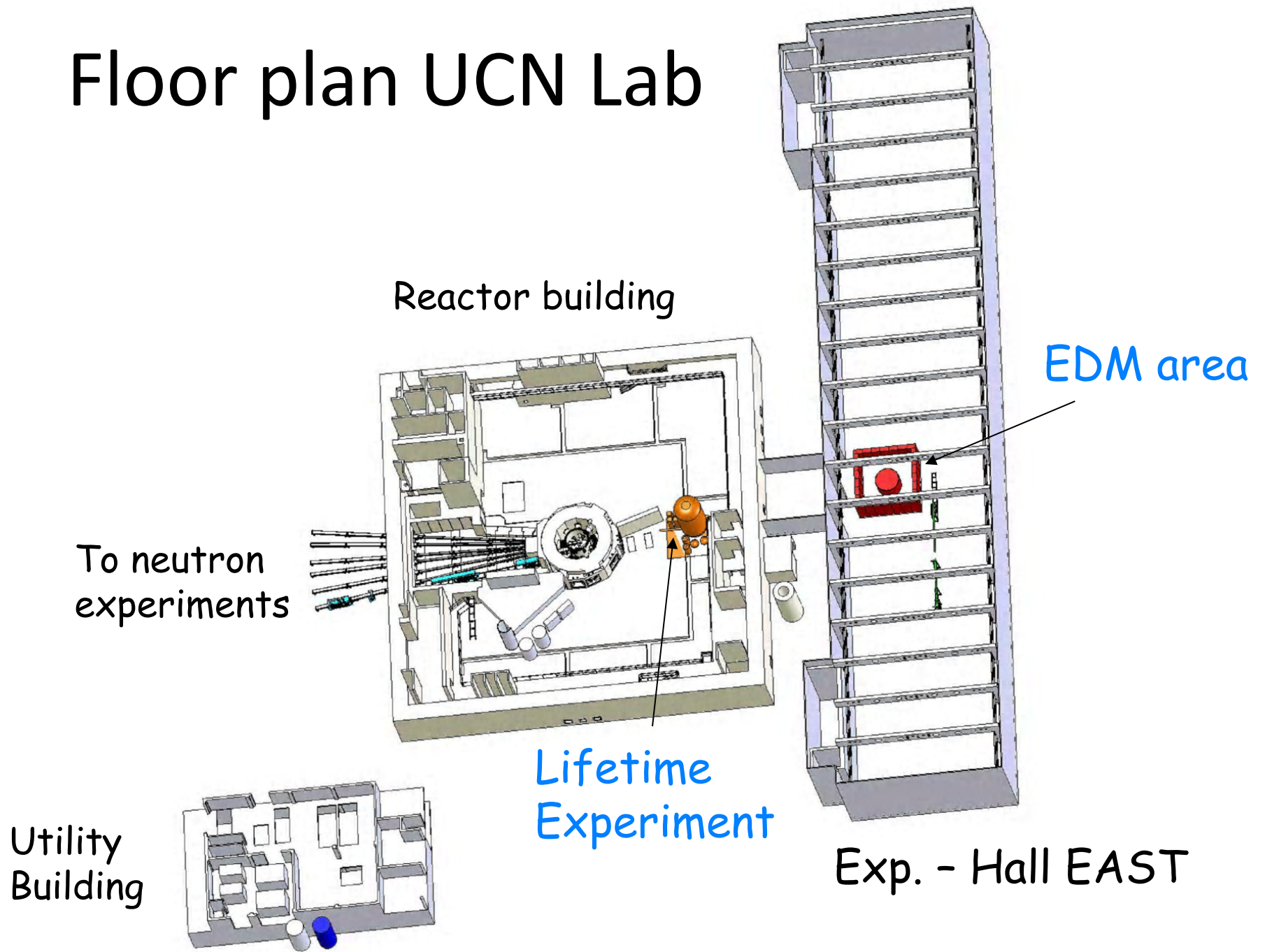
East hall

Main building

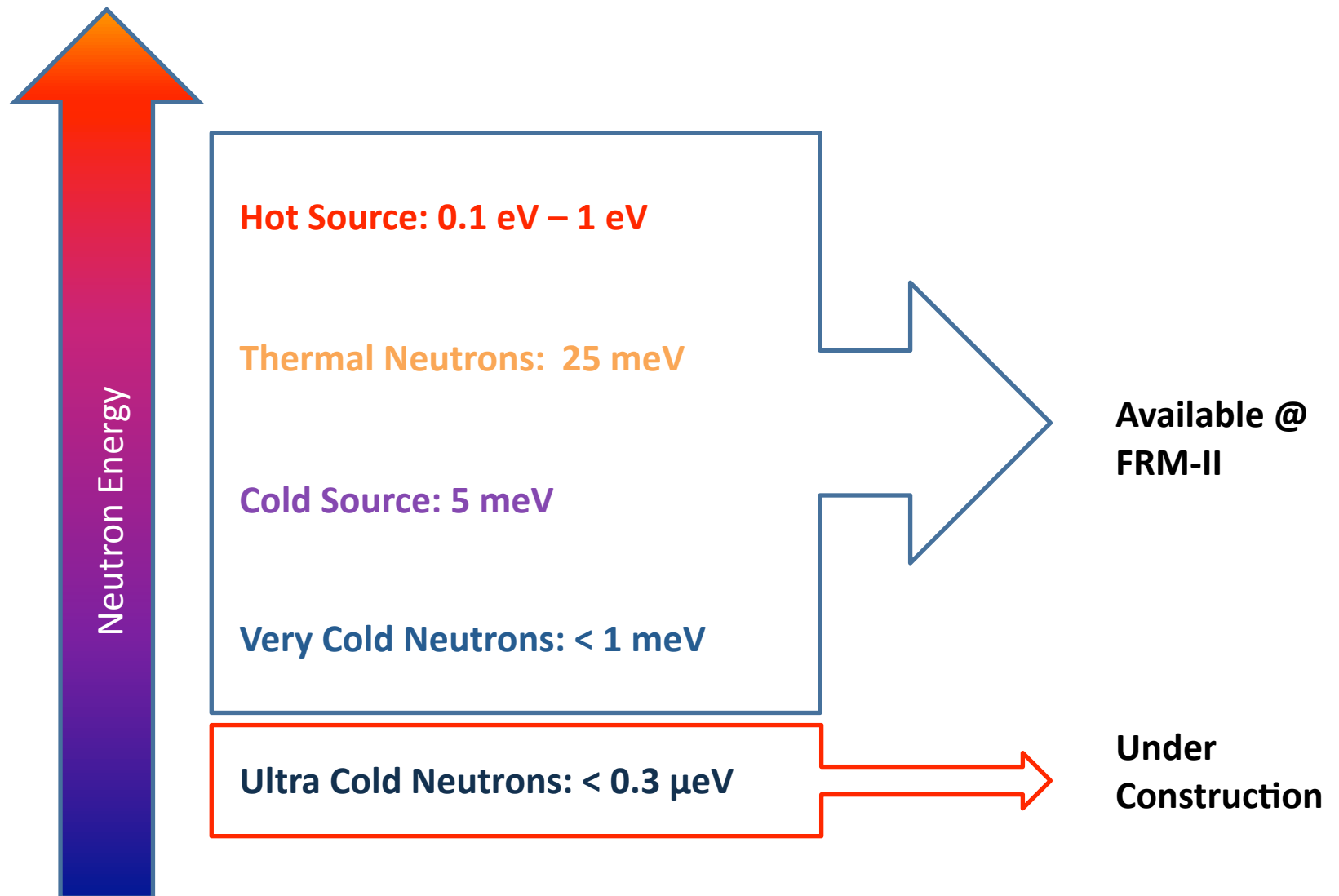
Neutron guide hall



Floor plan UCN Lab

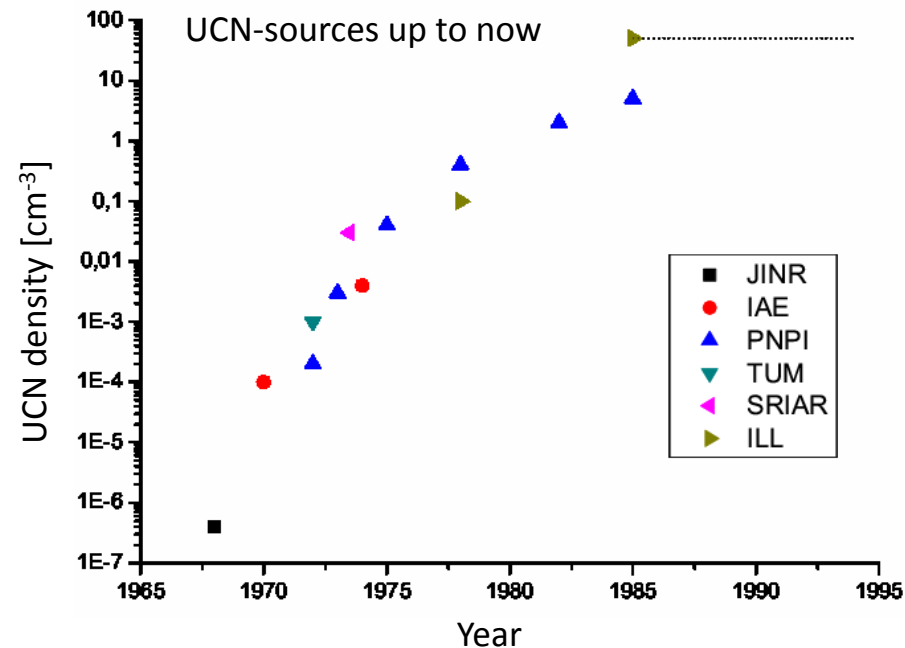


Secondary neutron sources

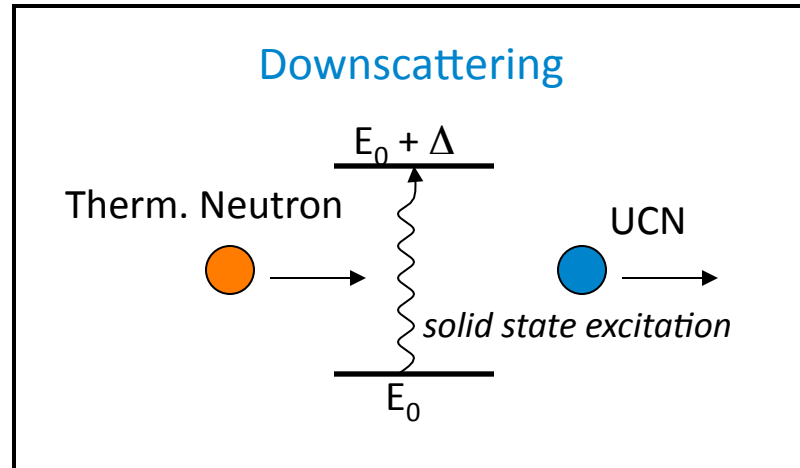


Ultra-Cold Neutrons

- Definition: neutrons reflected from material walls → Fermi potential
- Energy: < 300 neV
- Amount: small fraction of thermal energy spectrum ($\sim 7 \cdot 10^{-12} \phi_0 @ 300 \text{ K}$)
- Production: shift energy spectrum to lower energies → moderation



Superthermal UCN-production



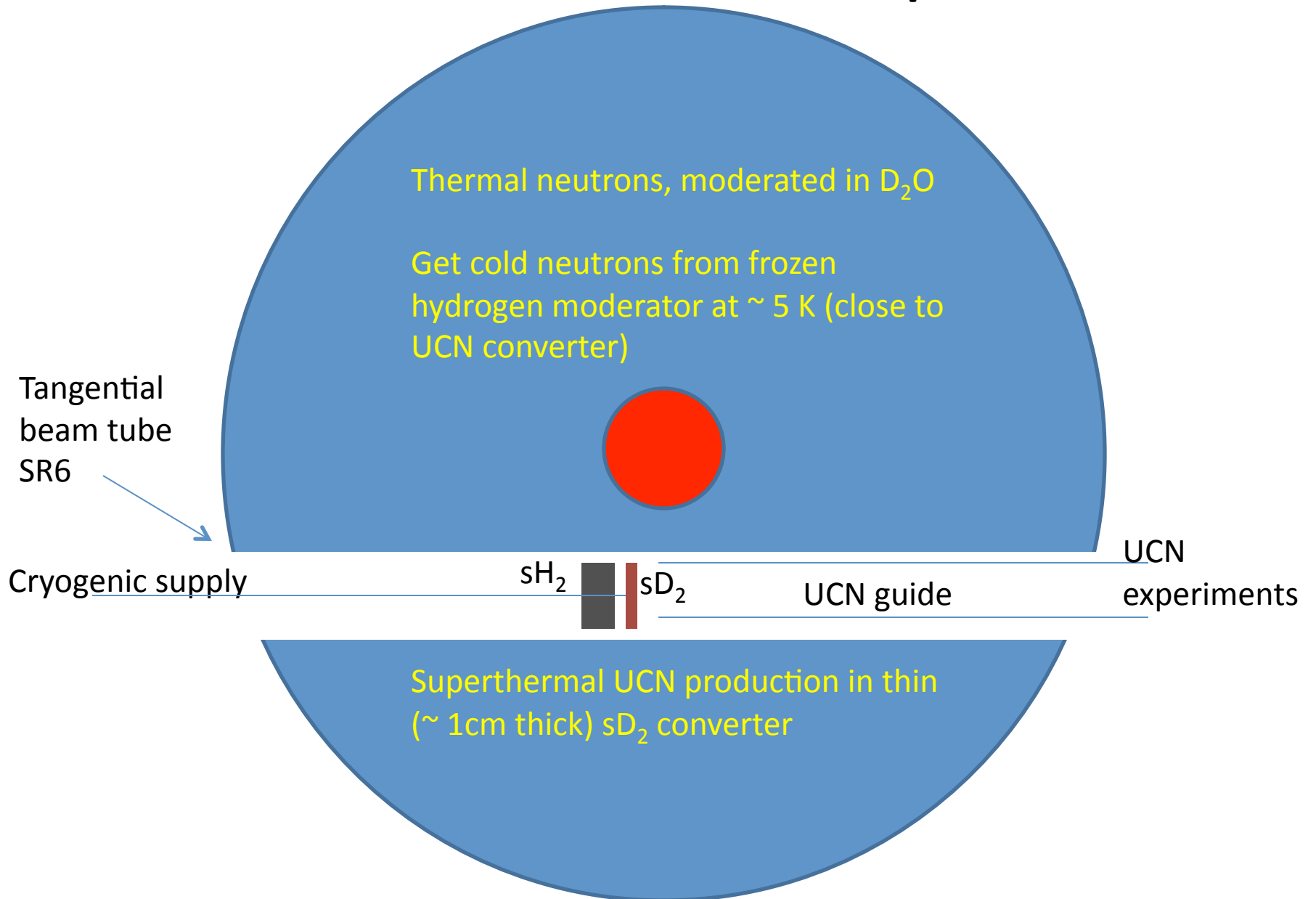
- Production: $E_{UCN} + \Delta \rightarrow E_{UCN}$ (Downscattering)
- Loss: $E_{UCN} \rightarrow E_{UCN} + \Delta$ (Upscattering)

Principle of detailed balance:

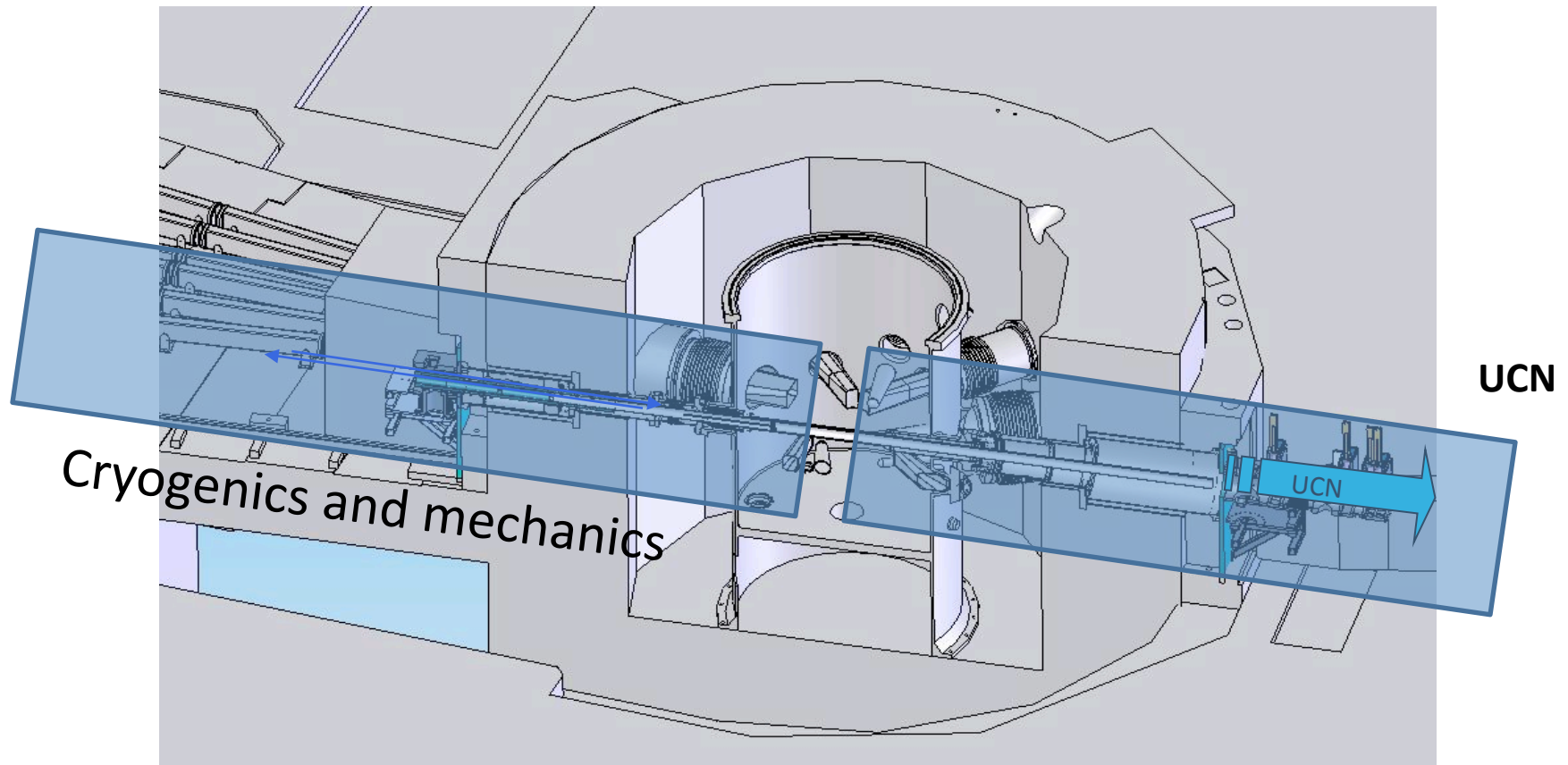
$$\sigma_{up} = \frac{E_{UCN} + \Delta}{E_{UCN}} \cdot e^{-\Delta/k_B T} \cdot \sigma_{down}$$

if $\Delta \gg k_B T \gg E_{UCN} \rightarrow \sigma_{upscattering} \ll \sigma_{downscattering} \rightarrow$ **Superthermal Converter**

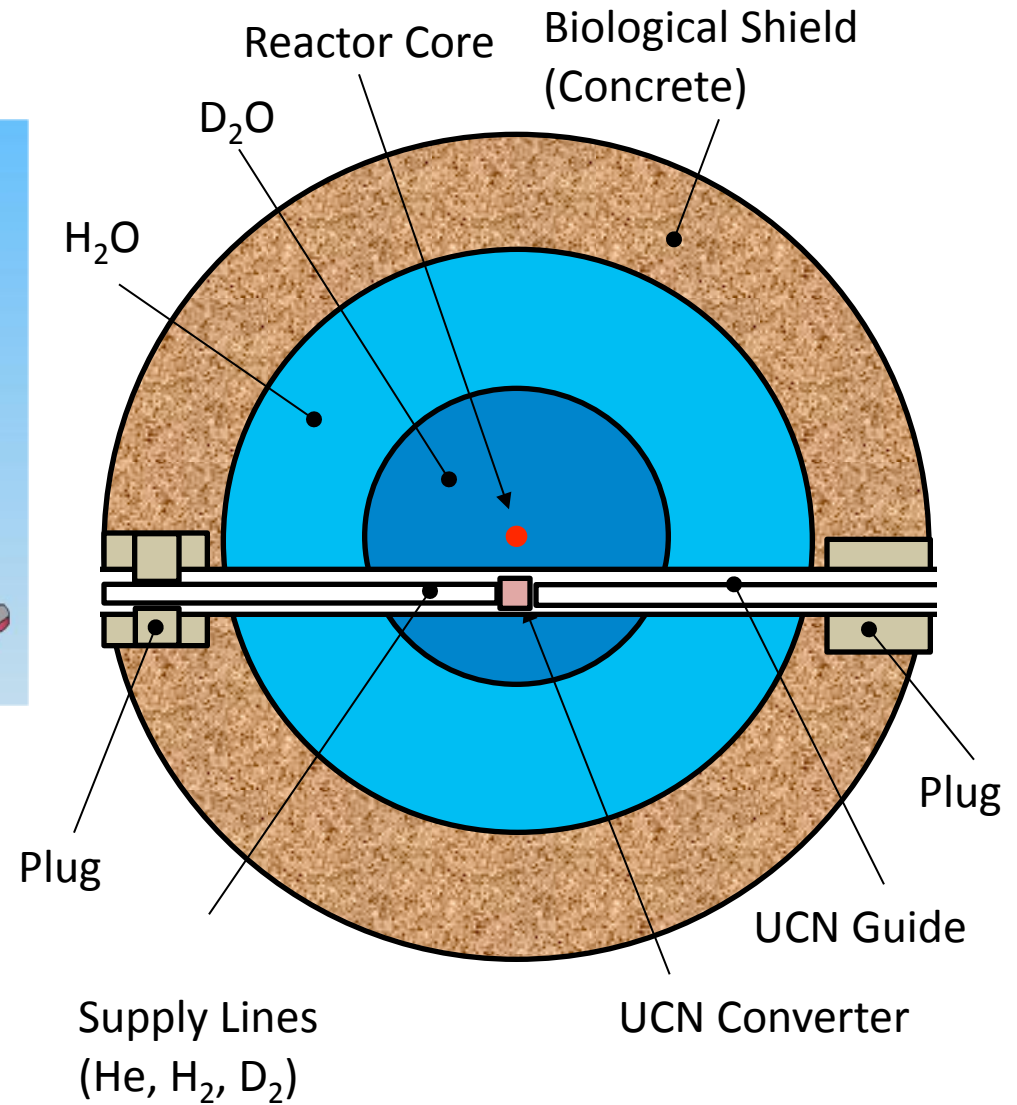
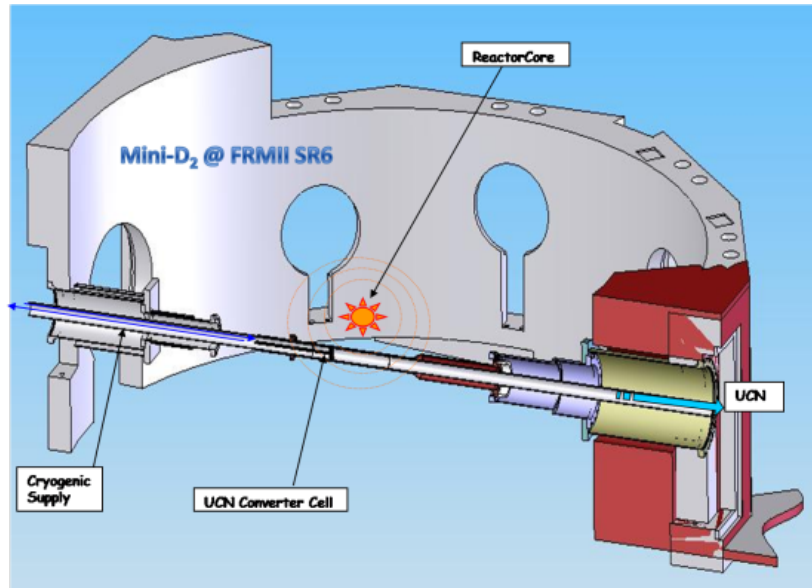
UCN source concept



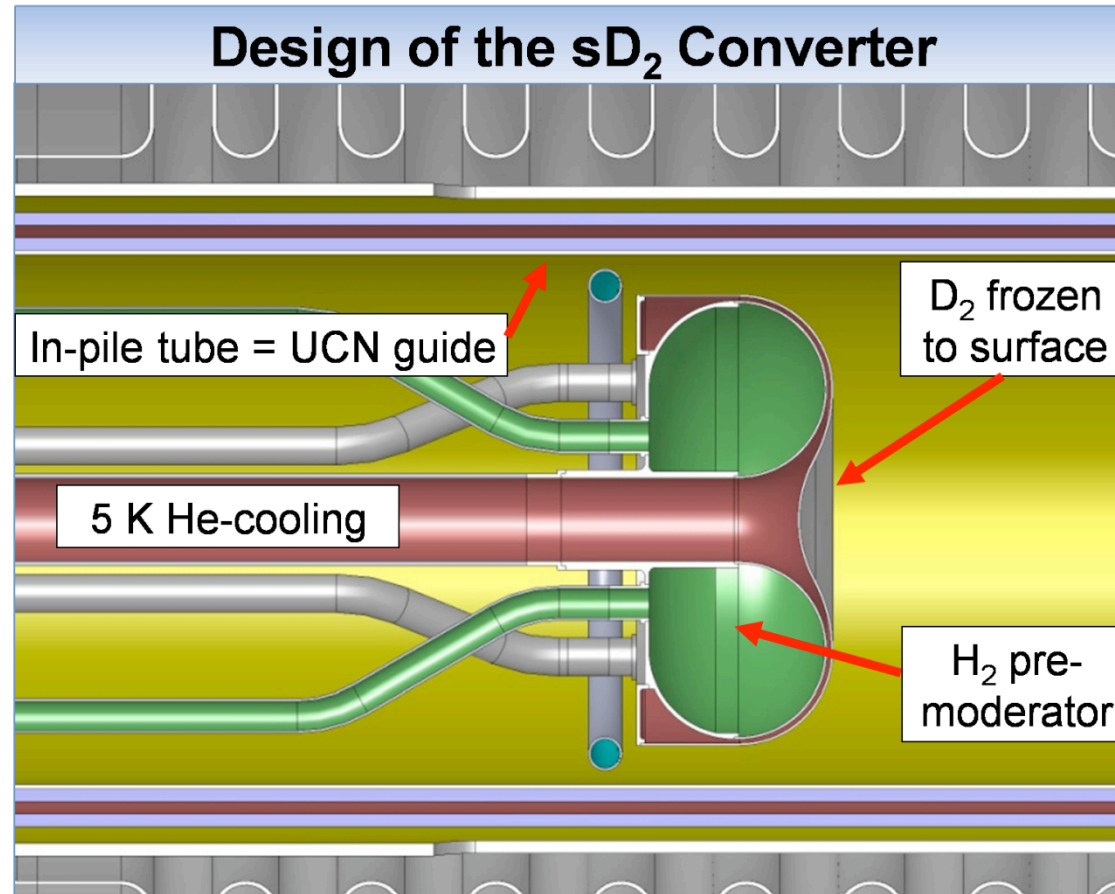
Cut through reactor



More details

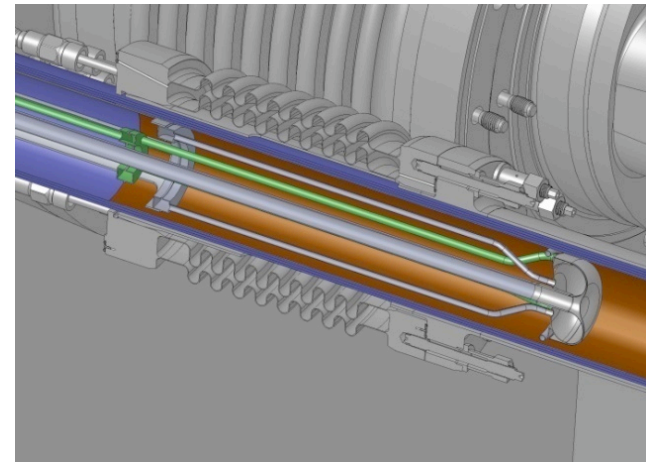
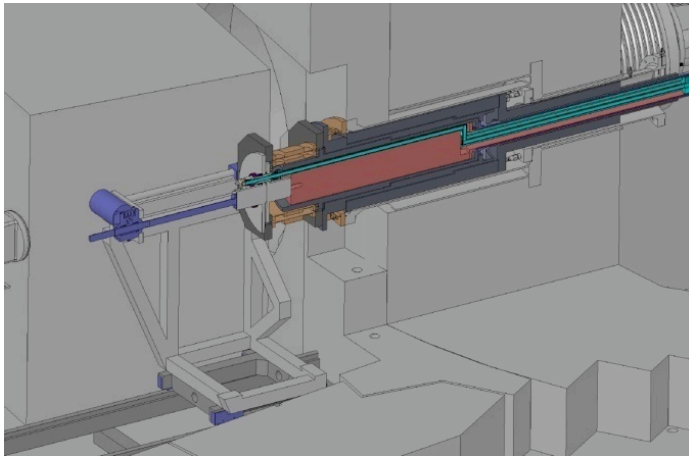
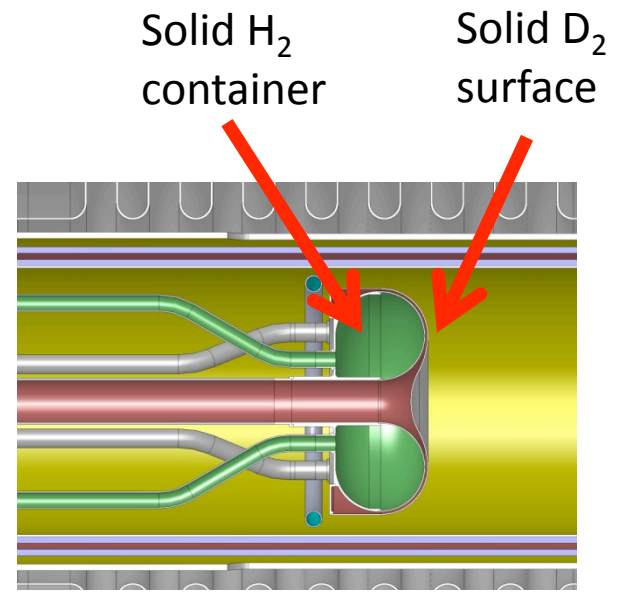
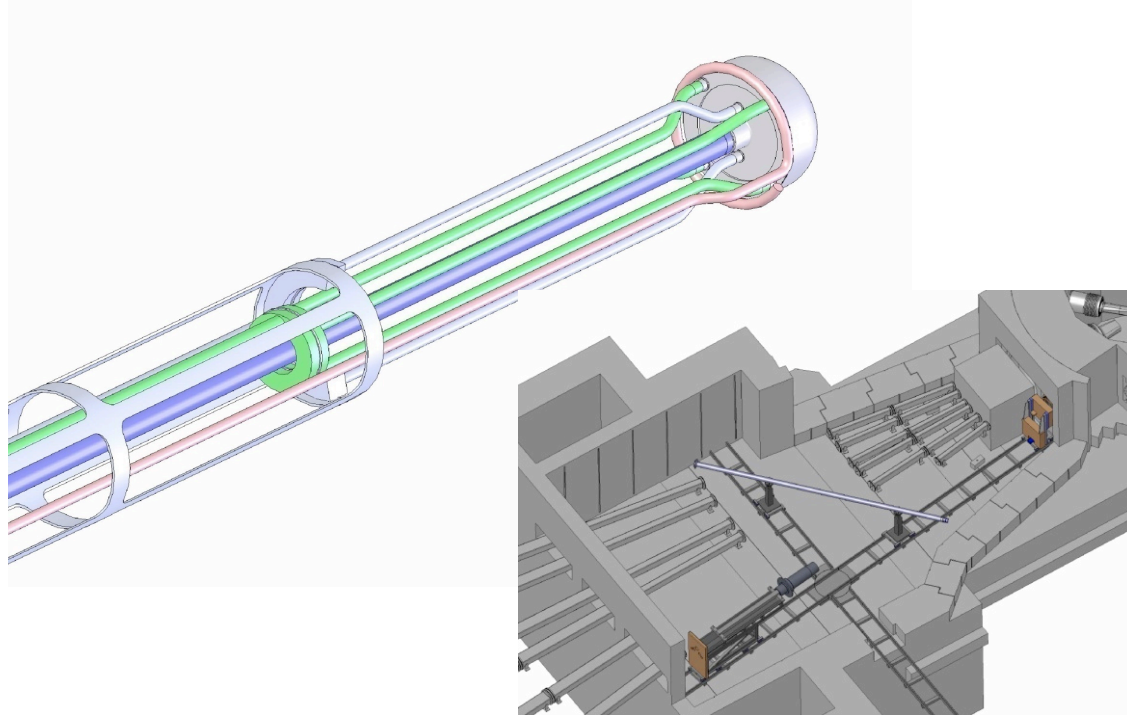


Solid-D₂ UCN-Converter



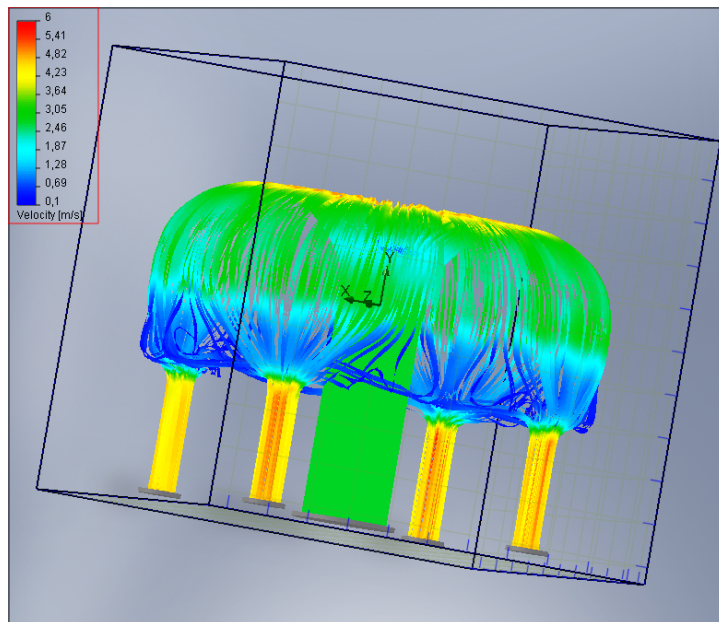
- H₂-amount: 12.5 mol = 25 g
- D₂-amount: 12.5 mol = 50 g
- He-amount: 70 dm³ fl.-He = 8.7 kg

Source design



Cooling concept

Cooling He velocity profile



Nuclear heating:

Al - 1.8 W/cm³

D₂ - 0.09 W/cm³

H₂ - 0.05 W/cm³

Total cooling power 500 W @4.2K

He mass flow 100 g/s

He pressure 3 bar

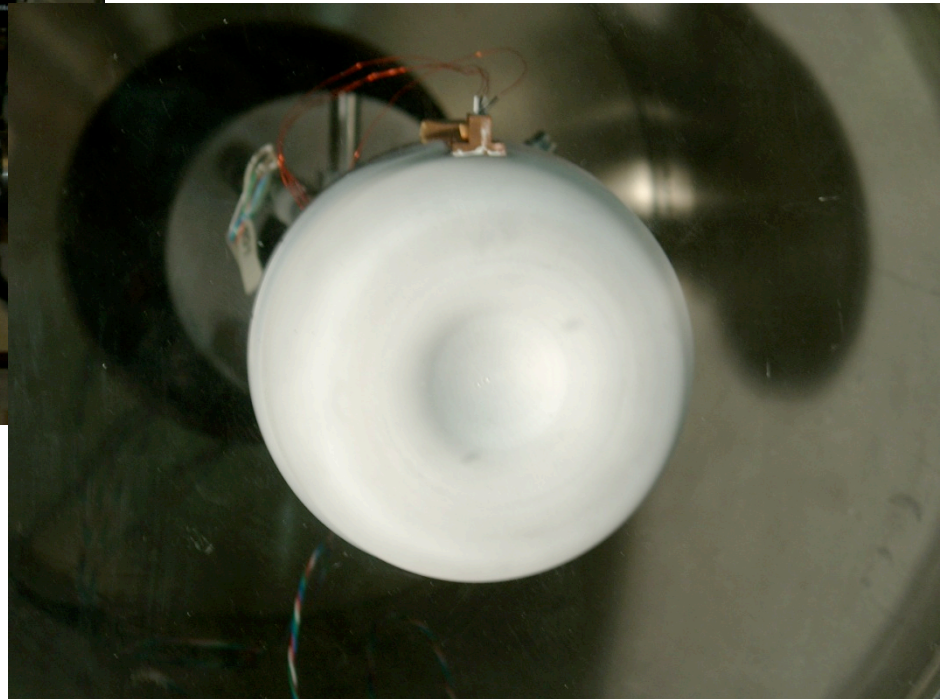
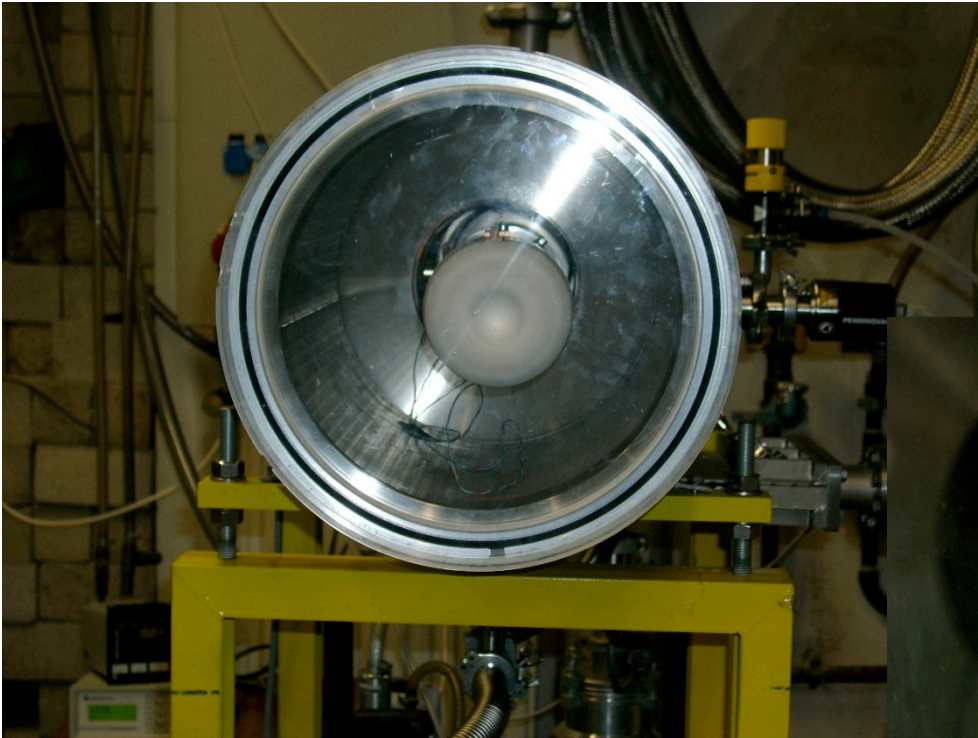
Pressure drop 0.09 bar

Temperature increase 0.2 K

Heat transfer coeff. 500 W/cm²/K

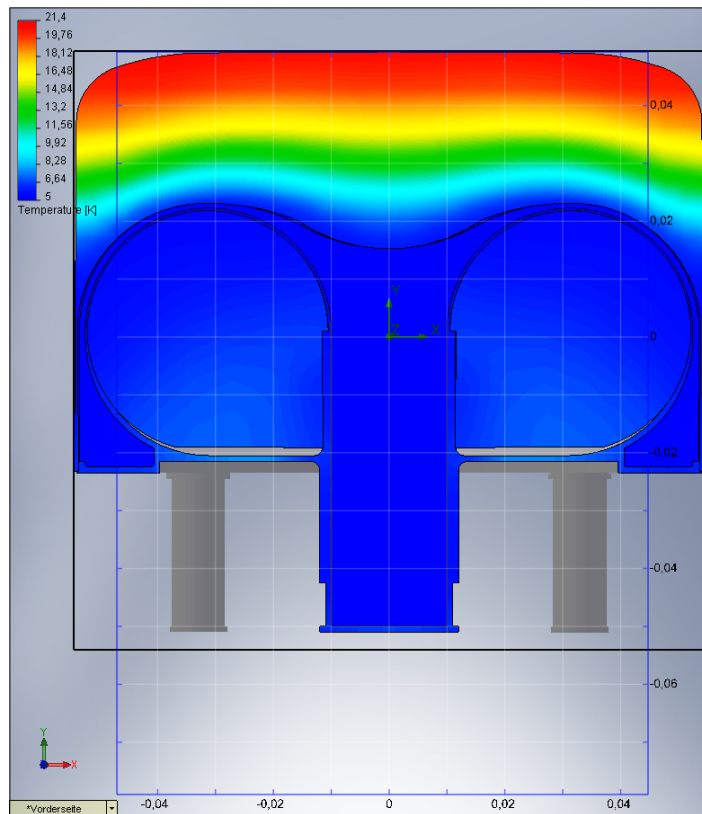
Successful cooldown

Functional prototype welded.
Survived pressure and leak testing,
tested at < 10 K, neon frozen out.



Cooling efficiency

Solid D₂ temperature profile



Extreme case with 3 cm thick D₂ and 100% increased heating

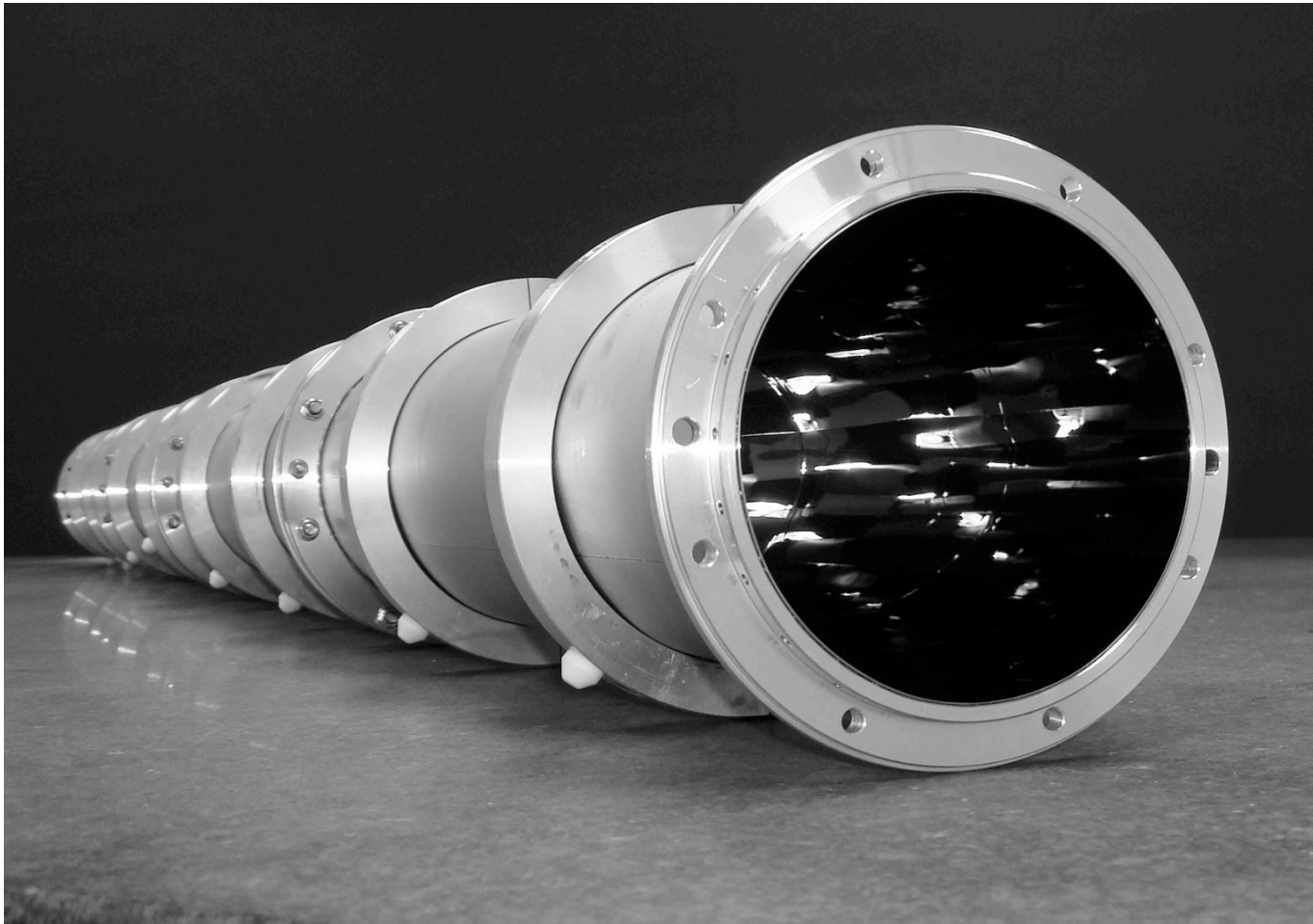
~1 cm of o-D₂
are feasible to have vapor pressure at
the level of 10⁻³ mbar

Neutron optics

Problem: a very long UCN guide...

Goal: Transmission $> 0.985/m$

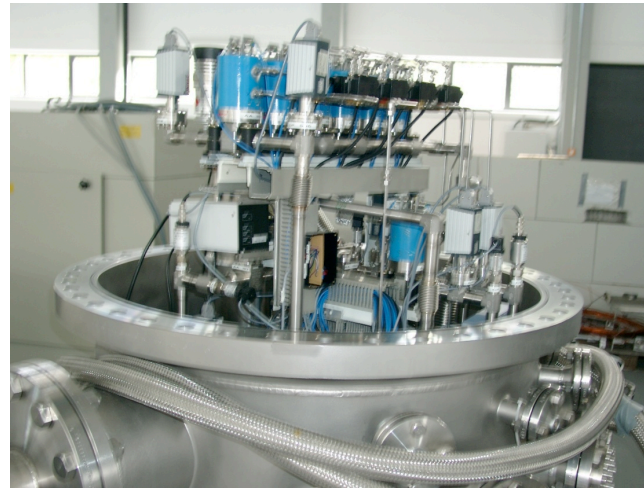
Ni surface copied from glass
-> Replica technique



A few more pictures



Cryogenics



Deuterium system

Flanged access to SR6
where cryogenics will be
placed



Expected performance of UCN source @ FRMII

	UCN source FRMII Exit of beam port	Experiment hall PENeLOPE
Flux density [UCN · cm ⁻² · s ⁻¹]	$7.0 \cdot 10^4$	$6.2 \cdot 10^4$
Flux [UCN · s ⁻¹]	$8.0 \cdot 10^6$	$7.0 \cdot 10^6$
Max. UCN density [UCN · cm ⁻³]	$1.2 \cdot 10^4$ (V = 100 dm ³)	$3.0 \cdot 10^3$ (V = 700 dm ³)

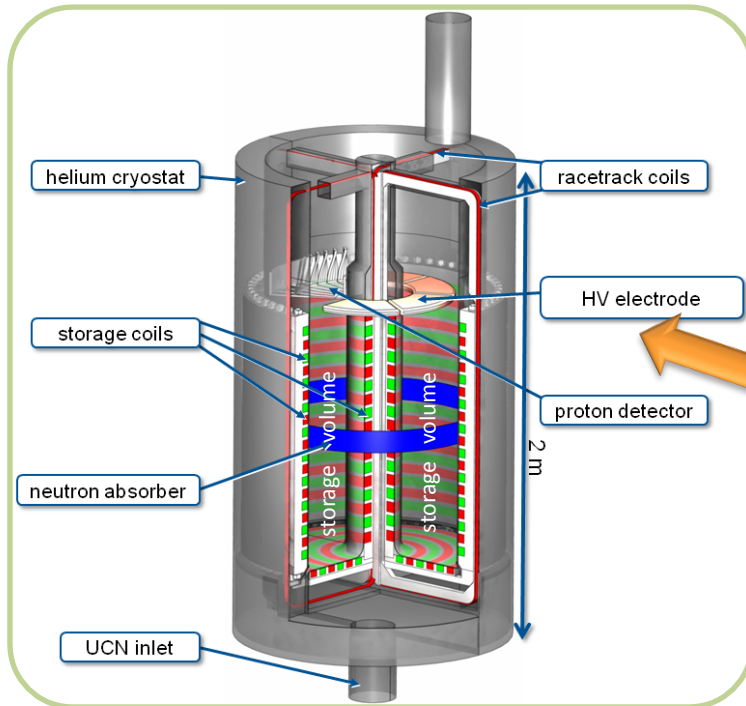
Experiments with UCN

- Neutron lifetime
- Neutron Electric Dipole Moment
- Gravitational quantum states of UCN
- Monochromatic pulsed neutron beams by UCN upscattering
- UCN guide development
- Alternative UCN converter materials
- ...

Neutron lifetime: PENeLOPE

a Precision Experiment on the Neutron Lifetime Operating with Proton Extraction

I. Altarev, E. Gutsmiel, F.J. Hartmann, S. Materne, J. Nitschke, S. Paul, R. Picker, T. Schäfer, R. Stoepler, C. Tietze
TU München



Motivation:

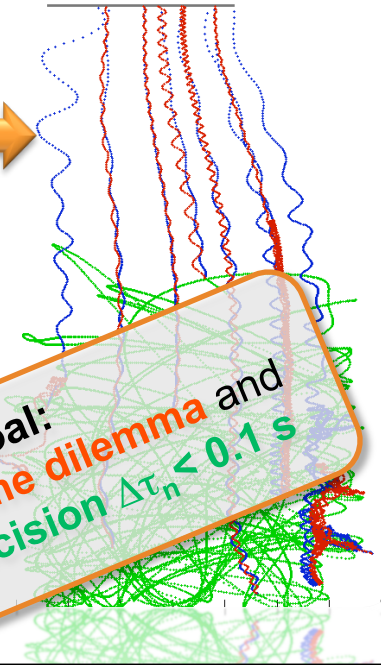
incompatible values of recent experiments using material neutron storage + unresolved **systematic uncertainties** of old method

PDG world average: $\tau_n = 885.7 \pm 0.8$ s

Method:

- **loss-less magnetic** and gravitational storage
 - **real-time detection of protons**
- ⇒ storage of 10^7 neutrons < 110 neV in volume of around 750 l

detector



Minimization or control of systematic effects:

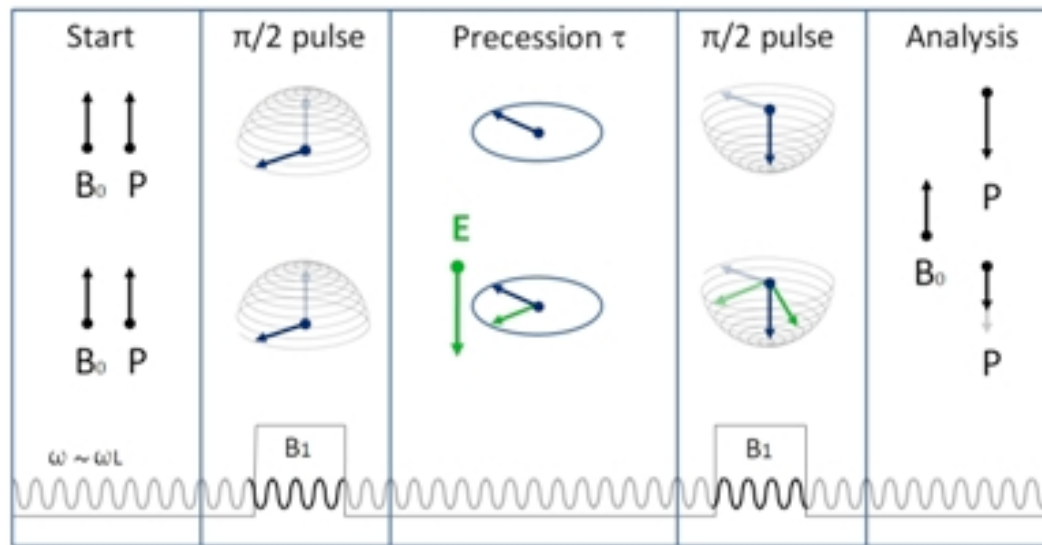
- avoid **zero-field regions (spin flip)**
- **monitoring of depolarized UCN**
- **shaping of magnetic storage-field**
- **removal of marginally trapped UCN**
- ...

Goal:
resolve **lifetime dilemma** and
achieve **precision $\Delta\tau_n < 0.1$ s**

neutron, proton and electron tracks in PENeLOPE

Electric Dipole Moment nEDM

Ramsey method: Measure Larmor frequency shift with electric field $\hbar\omega \sim \mu B + dE$



Current limit: $2.9 \cdot 10^{-26}$ ecm
 Goal: $\sim 10^{-28}$ ecm (until 2015)

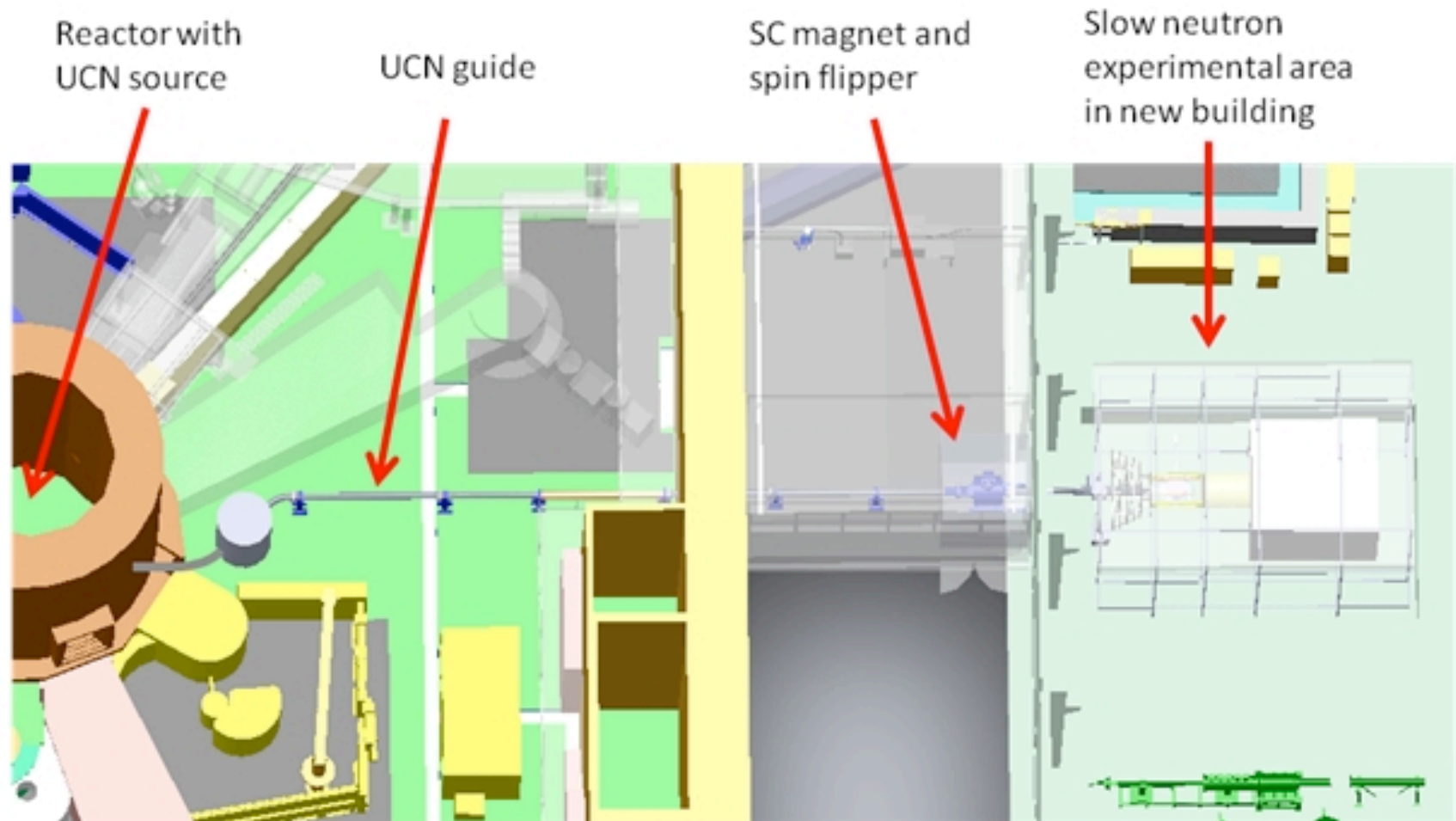
Sensitivity: $\sigma_d = \frac{\hbar}{ET\alpha\sqrt{N}}$

→ strong UCN source

Problem: “fake EDM” by fluctuations of magnetic field: $d = \frac{\mu\Delta B}{2E}$

→ magnetic shielding

EDM floor plan



Conclusion

Funding secured

Design completed (inputs from prototype tests)

Cooling system ordered (3,7 M€)

Mechanics

D₂/H₂ cup test-production

Welding tests completed successfully

Material ordered

Tests for UCN guide system (almost 40m) ongoing

TÜV – papers in progress

Alternative converter material tests ongoing (basic science)

→ In 2012 this will be ‚the strongest UCN source‘ 😊